

GE Security

The Legend from GE Security sets a new standard for integrated dome cameras. SilkTrak™ direct drive technology eliminates roughness common to other domes. Programming for presets, tours, macros, privacy masks, alarms, and more is completed via easy-to-use menus.

SilkTrak™ direct drive eliminates gears and belts for improved performance and reliability. The closed-loop positioning technology provides preset positioning accuracy of ± 0.015 degrees.

A 26x optical zoom camera with 12x digital zoom gives this new dome a 312x total zoom. Optically superior injection-molded dome bubbles insure crystal clear images, even at the highest zoom magnifications.

With 184-degree tilt travel for above-horizon viewing and electronic image flip, the camera can track activity directly underneath it without having to spin on its pan axis. Each of the 127 preset positions stores the pan, tilt, and zoom position along with a complete list of camera settings including backlight compensation, iris, and shutter settings.

Sixteen shadow tours can store a total of 20 minutes of pan, tilt, and zoom operation. Program up to 32 macros,

each with up to 16 steps that can be set for presets, tours, relay outputs, or links to other macros. Eight alarm inputs can be assigned to presets, tours, or macros and can control either or both relay outputs.

Of the 24 available privacy masks, eight can be displayed simultaneously, allowing portions of an image to be covered. This prevents operators from looking in on neighboring or sensitive areas. Spherical privacy masking uses a 3D representation of the camera view and eliminates mask drift caused by camera tilt angle.

Separate passcode levels prevent unauthorized personnel from changing programming settings while still allowing administrative access.

Housing options are available for indoor and outdoor applications. Exterior housings are rated for weather resistance.

Features

- SilkTrak™ direct drive for smooth and precise PTZ movement
- Comprehensive programming choices via graphical menus provide flexibility for all applications
- Housing options available for indoor and outdoor applications—all exterior housings rated for weather resistance
- New 26x day/night camera with removable IR cut filter
- Spherical privacy masking
- Single hand insertion and removal
- Built-in coax and UTP video connections

Legend Next-generation PTZ dome camera



Legend Dome Options

Available housings:

- Flush mount ceiling
- Pendant mount
- Pendant mount with heater and fan
- Wall mount
- Wall mount with heater and fan
- Heavy duty
- Heavy duty with heater and fan
- Rugged pendant
- Rugged pendant with heater and fan
- Plenum-rated flush mount (coming soon)



Available bubbles:

- Clear acrylic
- Smoke acrylic
- Chrome mirrored acrylic
- Gold mirrored acrylic
- Clear polycarbonate (HD, rugged only)
- Smoke polycarbonate (HD, rugged only)

Available cameras (NTSC or PAL option):

- 18x color camera
- 26x day/night camera
- 26x day/night camera w/ stabilization

General Specifications

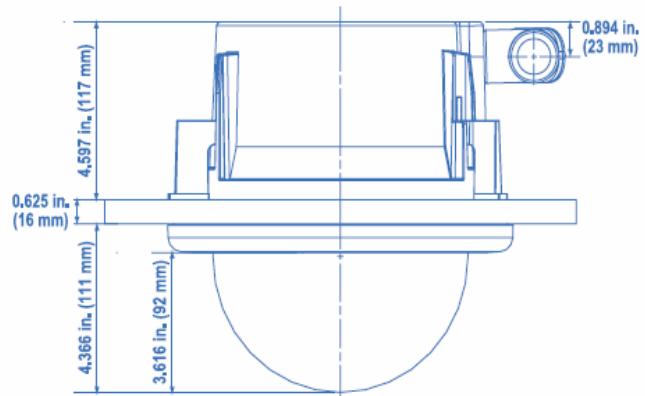
Operation

- Closed loop SilkTrak™ direct drive motor system
- 32 macros; 16 steps per macro; linkable
- 16 shadow tours; 20 minutes total duration
- 127 presets with title and individual camera settings
- Auto return: 1 to 60 minutes; any preset, tour, macro, autopan
- Continuous zoom adjusted pan/tilt
- Electronic image flip
- 120 programmable areas per dome, each with title
- 24 total privacy masks; 8 displayed simultaneous; with spherical privacy masking
- 8 built-in alarm inputs
- 2 relay outputs

Environmental

- Operating temperature, without heater/blower: 32 to 122°F (0 to 50°C)
- Operating temperature, with heater/blower: -40 to 122°F (-40 to 50°C)

Flush mount ceiling and plenum-rated flush mount*



The indoor flush-mount housing is designed for in-ceiling applications. A T-bar support kit is included. A flush-mount housing for plenum-rated applications is also available.

Specifications

Electrical

- Operating voltage: 24 VAC +/- 4 VAC
- Power: 30 W startup; 16 W running

Mechanical

- Environmental enclosure: Rated IP50
- Dimensions: 9.5 in. dia. x 9.6 in. high (241 x 243 mm)
- Weight (housing and PTZ): 6 lb., 8.5 oz. (2.96 kg)
- Construction: ABS plastic
- Color: Gray

* plenum-rated housing not currently available - coming soon!

Pendant mount and pendant mount with heater and fan

The weatherproof pendant-mount housing can be used for indoor or outdoor applications. Both the pendant mount and pendant mount with heater and fan are rated IP55. With the heater/fan option, the housing can be used in temperatures to -40°F (-40°C)..

Specifications

Electrical

- Operating voltage: 24 VAC +/- 4 VAC
- Power: 30 W startup; 16 W running
- Power, with heater: 60 W startup; 36 W running

Mechanical

- Environmental enclosure: Rated IP55
- Dimensions: 9.5 in. dia. x 11.9 in. high (241 x 303 mm)
- Weight (housing, heater/fan, and PTZ): 6 lb., 8.5 oz. (2.96 kg)
- Construction: ABS plastic
- Color: Gray

